



# SCARYBIRD

[www.scarybird.com](http://www.scarybird.com)



**9** METERS  
29 FEET  
POLE



**FLYING SCARECROW**

**ÉPOUVANTAIL VOLANT**

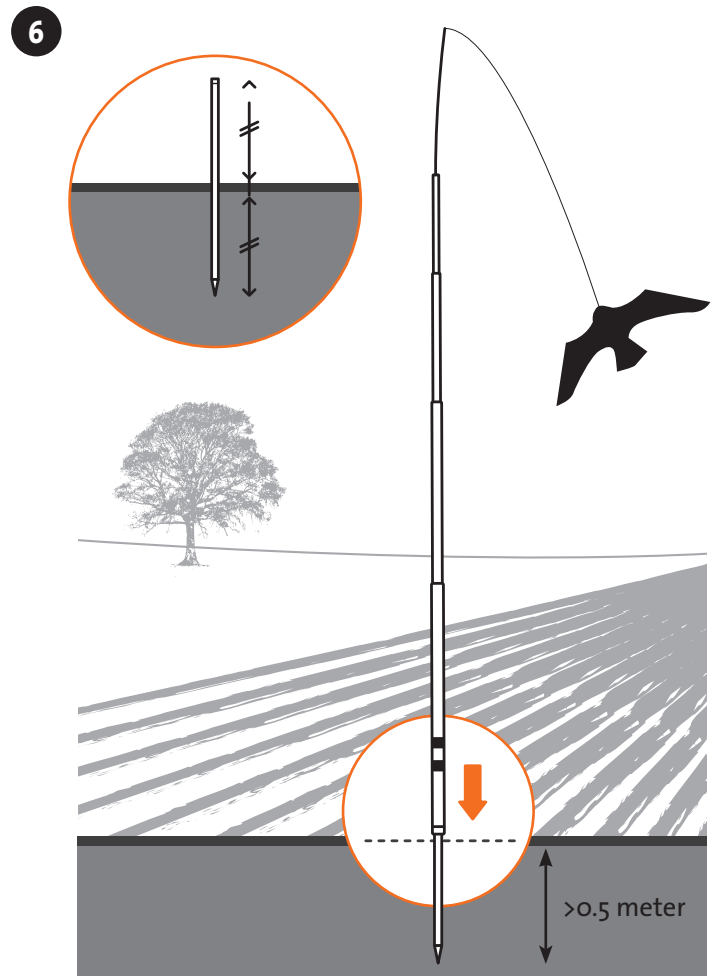
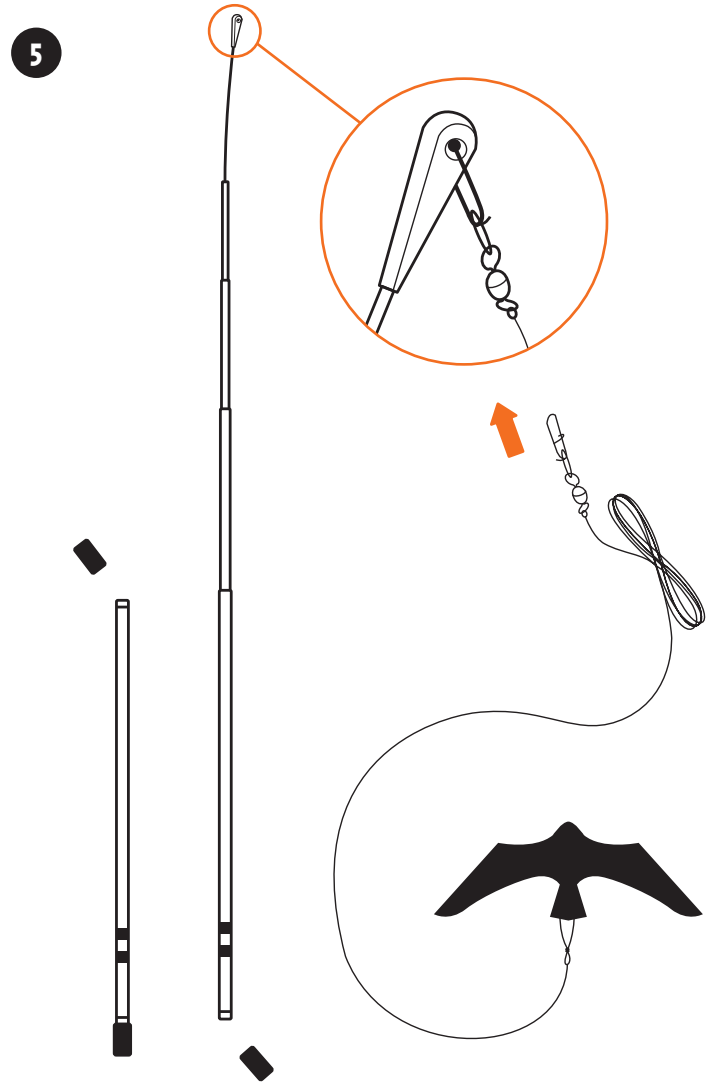
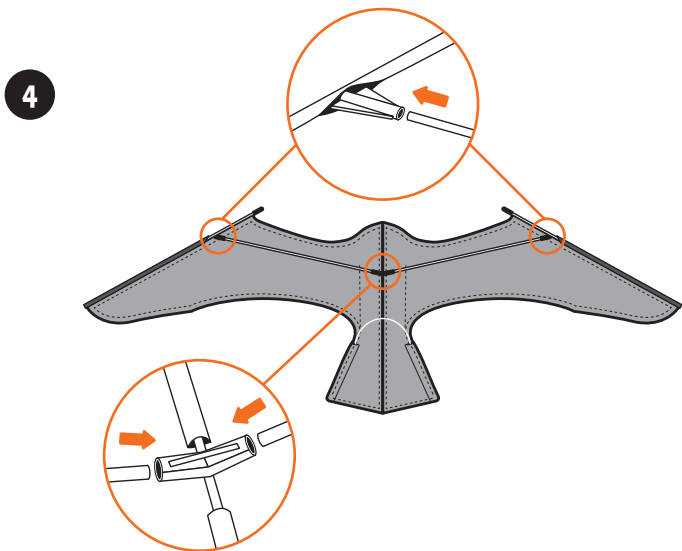
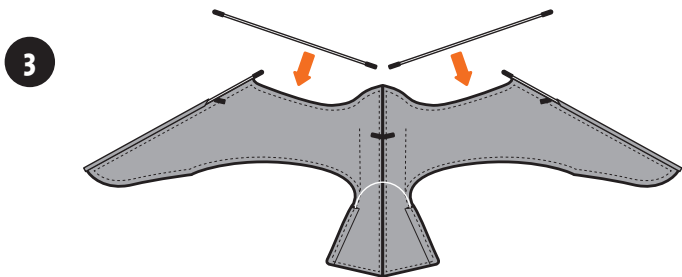
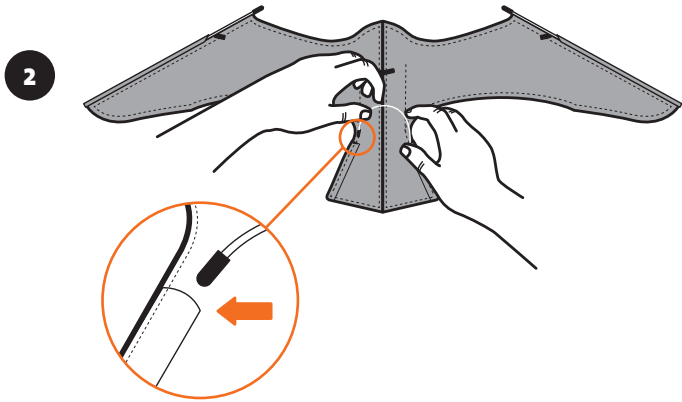
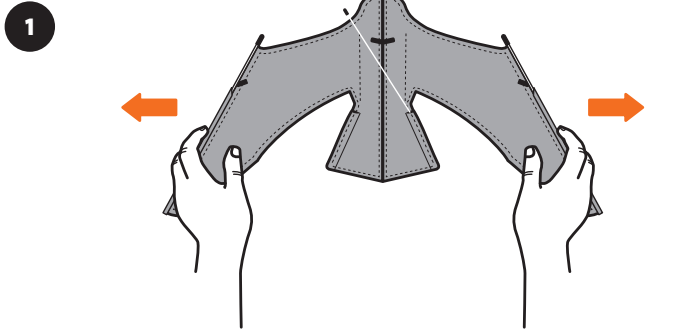
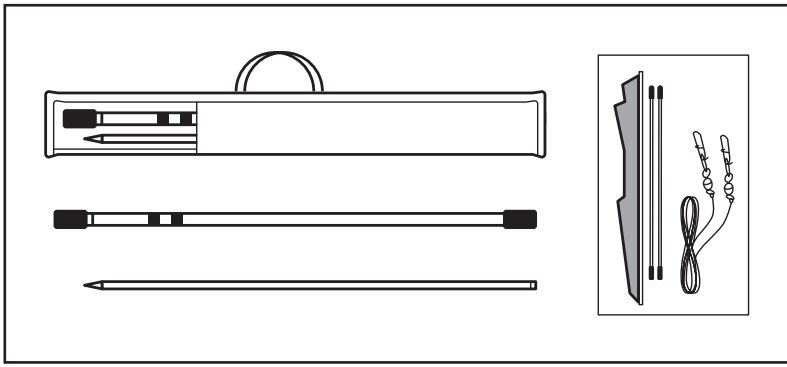
**ESPANTAJAROS VOLADOR**

**FLUGVOGELSCHEUCHE**

**SPAVENTAPASSERI VOLANTE**

**LATAJĄCY ODSTRASZACZ PTAKÓW**

**USER MANUAL**



## Recommendations for Use and Troubleshooting

**You are now a step closer to becoming bird-free. However, our Scarybird kite is not a universal solution which you simply set and forget. It needs to be regularly checked and adjusted and works most effectively when used with other bird control measures.**

### • BIRD ACCLIMATIZATION

Set your Scarybird system up **ONLY** after pest birds arrive, **NOT** Before. Scarybird is very effective in keeping birds away, but unfortunately birds can get used to it. Its effectiveness is maximised by regularly moving it or pulling it down for short periods of time. We recommend relocating the system every 5-10 days to another location at least 10-15 feet (3-5 meters) away. Our system is recommended for areas up to 4 acres (1.5 hectares). If you have a larger area requiring protection you will require multiple units.

### • STRONG WIND

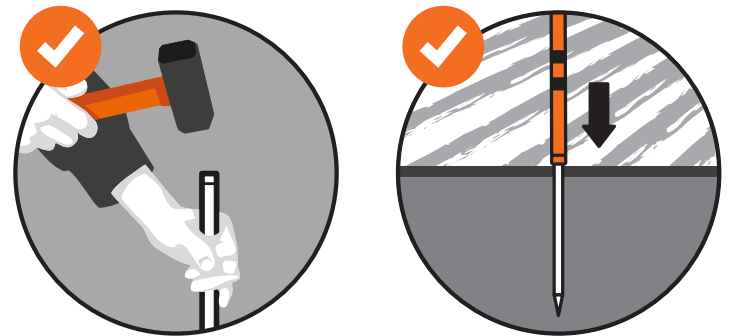
To maximise lift our Scarybird kite is made out of a light-weight material. While this material is strong and robust it does not tolerate strong winds. This is especially the case when mounted on roofs, where wind speeds are much higher than at ground level. In strong winds there is a high risk that the kite will rip or the kite rods and telescopic pole will be damaged. When wind speed exceeds 8-10 meters/sec (>28mph/45kmh), we recommend taking the kite and telescopic pole down and placing it safely away until the wind subsides.

### • SET-UP TIPS

There are 3 DIFFERENT WAYS of setting up the SCARYBIRD System. Always remember that the white stake (included with the system) **MUST** be the only fixed part, **NEVER** the telescopic pole itself.

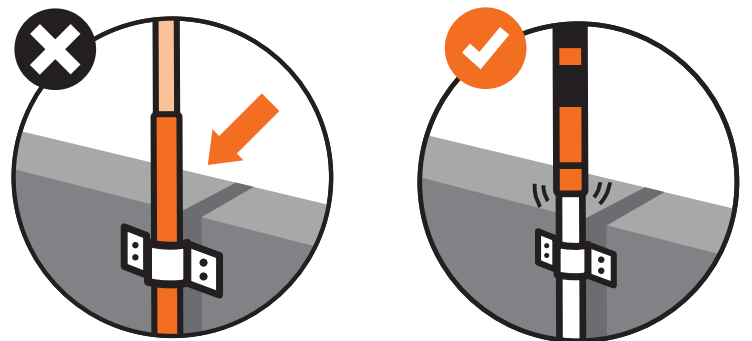
## 1 Ground/ Soil set-up

Knock the white stake half way into the ground/soil. Place the telescopic pole over the stake. To avoid breakage/damage ensure the telescopic pole is able to move freely on the white stake in all directions. To prevent the telescopic pole digging into loose soil and restricting its movement place flat, hard objects (eg timber, rocks, paving stone, concrete etc) underneath the telescopic pole and around the white stake.



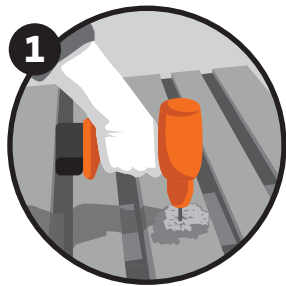
## 2 White stake fixing

**In a roof set-up or where it is not possible to fix to the ground.** Attach/secure the base of the white stake provided to a hard surface (e.g. a wall, fence, rail, frame etc) leaving the top half clear. Place the telescopic pole over the stake.

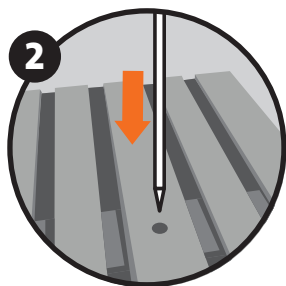


To avoid breakage/damage ensure the telescopic pole is able to move freely on the white stake in all directions.

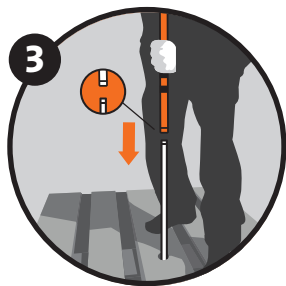
## 3 Assembly of a Scarybird on a pallet



In the middle of the pallet, drill a ( $\varnothing=19$  mm) hole. Ensure that you drill through the middle of a timber paling and a timber block underneath (watch out for nails!!). Stop drilling just before the drill bit has completely drilled through the timber block.



Tap in the white stake with a hammer (stop a couple of centimeters before the stake penetrates the bottom of the pallet).



Unfold the kite line, attach to the kite and unfold the telescopic pole. Turn and tighten the telescopic pole's top section.



Remove the bottom stopper of the telescopic pole and place over the white stake. To avoid pole breakage ensure the telescopic pole is able to move freely on the stake in all directions. The kite is now ready for use !

**To prevent the telescopic pole from being detached from the white stake during windy conditions tie the telescopic pole with a LOOSE line from the bottom section of the pole to the pallet** (double half hitch around the lowest part of the telescopic pole fixed to one of the pallet's planks with a reef knot).

## Troubleshooting Problem • Solution



### The kite string line is wrapping around the pole

➤ When set up correctly the telescopic pole sits on a slight 2-3° degree angle. This ensures the line won't wrap. Make sure the telescopic pole has full movement around the white stake.



### Pest birds are coming back

➤ Take down the system for 2 days and change spots (do this regularly every 5-10 days).



### Telescopic pole has broken

➤ Check if the winds were too strong on that day, and whether the white stake was placed correctly according to instructions. Contact your Scarybird seller with pictures and comments.



### Kite or string-line has broken

➤ Check if the wind was not too strong on that day. Contact your Scarybird seller with pictures and comments.



### Pole folded up by itself

➤ Unfold again but pull the sections of the telescopic pole through as strongly as possible.



### Metal rings from the pole came off

➤ Re-glue them back on with a strong metal/fibreglass glue. Unfold each section of the telescopic pole again and pull through as strongly as possible. Allow the glue to dry for 24 hours.



### Kite Hook (Swivels) do not fit with the hole of the pole

➤ Use pliers to prise apart the hook part on the swivels.

**SCARYBIRD SARL** provides a warranty on production errors for both the hawk kite and telescopic pole, but NOT on damage resulting from incorrect assembly or usage in strong winds.

EN

## Scarecrow Kite System for Scaring Pest Birds Away

### Set Content:

- 1 Kite made of high strength rip-stop nylon, W 155cm/ 61 inch, L 56cm/ 21 inch in size with 3 fiberglass tensioning rods.
- 1 Kevlar string 2.50m with 2 high-strength steel swivels.
- 1 telescopic Fibreglass 6 Meters/19 feet pole with rubber caps at each end.
- 1 Fiberglass white ground stake.
- 1 Carry bag - Total set weight = 4 Lbs. (1.8 Kg)
- Instructions

### User Recommendations:

- This product is not a toy.
- Install the scarecrow kite in an obstacle-free area.
- Our system is recommended for an area up to 4 acres of land (1.5 hectares)
- To avoid breakage remove in strong winds > 28mph (45 Km/h).
- To maximise scaring impact change the location of the Scarecrow by a few meters every week.
- For a longer life cycle, we recommend disassembling and storing the Scarecrow in dry conditions at the end of the season.

FR

## Système épouvantail cerf-volant destiné à l'effarouchement des oiseaux nuisibles

### Contenu du set :

- 1 Cerf-volant en Nylon traité UV, taille 155x56cm et 3 armatures en fibre de verre.
- 1 Cordelette 2,50m Kevlar haute résistance avec 2 crochets en acier.
- 1 Mat télescopique de 6m en fibre de verre avec manchons caoutchouc aux extrémités.
- 1 Piquet en fibre de verre.
- 1 Sacoche de transport.
- Poids total du set = 1,8 Kg.

### Conseils d'utilisation :

- Ce produit n'est pas un jouet.
- Installer l'épouvantail sur une surface dégagée d'obstacles.
- Notre système est recommandé pour une surface jusqu'à 1,5 hectares.
- Démontez l'épouvantail en cas de vent élevé (> 45 km/h).
- Pour une meilleure efficacité, changez son emplacement de quelques mètres toutes les semaines.
- Pour une meilleure durée de vie, nous conseillons de démonter l'épouvantail et le ranger au sec en fin de saison.

SP

## Sistema de cometa espantapájaros para ahuyentar aves nocivas

### Contenido del equipo :

- 1 Cometa de Nylon tratada contra los rayos UV de 155 x 56 cm y 3 armazones en fibra de vidrio.
- 1 Cuerda de 2,50m de Kevlar de alta resistencia con dos ganchos de acero.
- 1 Asta telescópica de 6m en fibra de vidrio con topes de caucho en las extremidades.
- 1 Estaca en fibra de vidrio.
- 1 Alforja de transporte.
- Peso total del equipo = 1.8 Kg.

### Consejos de utilización :

- Este producto no es un juguete.
- Instalar el sistema en una zona d espejada de obstáculos.
- Este sistema es apto para una sup. erficie de hasta 1,5 hectáreas.
- Se aconseja desmontar la cometa espantapájaros en caso de fuertes vientos (> 45 km/h).
- Para una mayor eficacia, es aconsejable cambiar la ubicación semanalmente desplazándola unos metros cada vez.
- Para garantizar un ciclo de vida más duradero, se recomienda desmontar la cometa espantapájaros y guardarla en un lugar seco al final de cada temporada.

DE

## Vogelscheuche-Drachen-System zur Vogelabwehr

### Inhalt eines Bausatzes :

- 1 Flugdrachen aus UV beständigem Nylon, Größe 155x56 cm mit 3 Fiberglassstangen.
- 1 Kevlarschnur, Länge 2.50 m mit 2 extrastarken Stahlhaken.
- 1 Ausziehbare Fiberglassstange mit maximal 6 Metern Länge und mit Gummikappen an beiden Enden.
- 1 Verankerungspflöck aus Kunstharz.
- 1 Transporttasche.
- Gesamtgewicht des Bausatzes = 1.8 Kg.

### Empfehlungen an den Benutzer :

- Dieses Produkt ist kein Spielzeug.
- Stellen Sie die Vogelscheuche auf einer hindernisfreien Fläche auf.
- Unser System empfiehlt sich für eine Fläche von 1.5 Hektar.
- Zur Vermeidung von Beschädigungen, empfiehlt es sich das Produkt bei Windstärke von +45 km/h abzubauen.
- Für einen höheren Effekt, sollte die Position des Systems jede Woche um ein paar Meter verschoben werden.
- Wir empfehlen die Vogelscheuche zum Ende der Saison abzubauen und trocken zu lagern, so dass sie länger hält.

IT

## Aquilone spaventapasseri per allontanare gli uccelli

### Contenuto del set :

- 1 Aquilone di Nylon UV dimensione 155x56 cm con 3 armature in fibra di vetro.
- 1 Filo di Kevlar di 2,50 m con 2 ganci in acciaio ad alta resistenza.
- 1 Asta telescópica in fibra di vetro con 2 cappucci in gomma alle estremità.
- 1 Picchetto in fibra di vetro.
- 1 Borsa per il trasporto.
- Peso totale del set: 1.8 kg.

### Consigli per l'uso :

- Questo prodotto non è un giocattolo.
- Installare lo spaventapasseri in una zona priva d'ostacoli.
- Il nostro prodotto è consigliato per un'area fino a 1,5 ettari
- Consigliamo di smontare lo spaventapasseri in caso di forte vento (> 45 Km/h).
- Per una migliore efficacia, consigliamo di cambiare la posizione di qualche metro ogni settimana.
- Per preservare lo spaventapasseri, consigliamo di smontarlo e riporlo asciutto a fine stagione.

PL

## System wykorzystujący latawiec na uwiezi do odstraszenia niepożądanych ptaków

### Zestaw obejmuje :

- 1 Latawiec wykonany z nylonu odpornego na działanie promieniowania UV, o wymiarach 155x56 cm, wzmocniony 3 prętami z włókna szklanego.
- 1 Linke z kevlaru o dużej wytrzymałości : długość 2,50 m, dwa stalowe zaczepy.
- 1 Teleskopowy maszt o wysokości 6m, wykonany z włókna szklanego z gumowymi nasadkami.
- 1 Palik z włókna szklanego do mocowania zestawu w podłożu.
- 1 Pokrowiec.
- Łączna waga zestawu - 1.8 kg

### Zalecenia dla użytkownika :

- Produkt ten nie jest zabawką.
- Odstraszacz należy ustawiać na terenie wolnym od przeszkód.
- Nasz system zalecany jest dla obszaru nie przekraczającego 1,5 hektara.
- W przypadku silnego wiatru (o prędkości > 45 km/godz.) odstraszacz zaleca się zdemontować.
- Dla większej skuteczności, zaleca się zmienianie położenia odstraszacza co tydzień o kilka metrów.
- Po zakończeniu sezonu radzimy zdemontować odstraszacz i przechowywać go w suchym miejscu dla zapewnienia jego większej trwałości.